

# ST-TFIM

## TUBULAR FABRIC INSPECTION MACHINE

ST-TFIM is specially designed for easily and efficiently inspect the both sides of tubular fabric in single pass operation. The fabric is loaded and pass to the fabric checking light box, through two mirrors, the operator can easily check both sides of fabric. This machine can be supplied to operate fabrics from roll to roll or plait; or with various other fabric inlet and outlet options.



### Features:

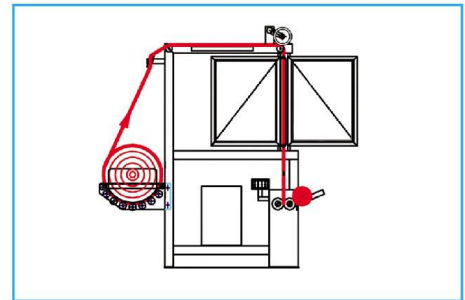
- 1). Fabric Rolling Drawer-With upper delivery mode lessen fabric tension and more convenient for inspection.
- 2). The inspection speed is controlled by inverter as requirement.
- 3). High Voltage Dispenser- For lightening system-special device provides electricity power to the Fabric Checking Box wireless.
- 4). Multi-size Inspection Lightening Cabinets from Width 16"-50" for Requirements of Various Fabric.- This special box installed magnetic block in the bottom to suspension automatically against the roller to eliminate crease marks to fabric.
- 5). Easy Operation Panel- Only few push buttons to run the machine smoothly.
- 6). Remote Foot Pedal for convenient operation.

### Technical Specifications:

Model:	ST-TFIM
Speed:	0 - 50m/min
Fabric Width:	400 - 1250mm
Standard Roll Diameter:	500mm
Dimensions(LXWXH):	2300X1700X2070mm
Weight:	800kgs
Electric Specs:	Single-phase/220V; 50HZ(can be adjusted to suit for different countries)
Remark:	Various working width is possible and can be tailor-made to your requirements of processing needs.

#### OPTION 1:

SUITABLE FOR TUBULAR FABRIC FROM ROLL TO ROLL



#### OPTION 2:

SUITABLE FOR TUBULAR FABRIC FROM ROLL TO ROLL/PLAIT.

