

# ST-LTM-02

## LOOM TAKE-UP MACHINE

Beam Storage

Beam Lifting Trolley

Cloth Roll/Beam Transport Trolley

Stacker

A-frame Trolley

Batch Winder

Beams



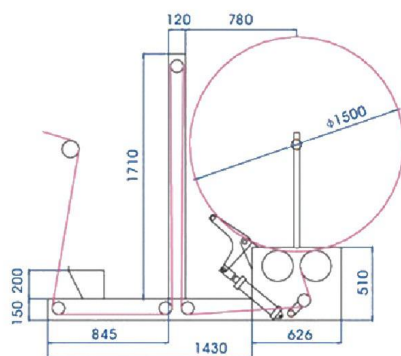
ST-LTM-02 Loom Take-Up Machine is designed to attach all types of weaving machines. Any type of Woven, Non-Woven or Knitted Fabrics can be taken up on the machine, under 100% inspection, and are designed to give tight and compact rolls in the most elastic to heaviest fabrics such as industrial textiles.

Additional top pressure roller provides the necessary pressure throughout the winding process for distortion-sensitive fabric.

- Fast and easily handled, requiring for one operator only
- **Less fabric waste and increase efficiency**
- Synchronize production process

### Features:

- 1). Various models available allow 100% On-Loom Inspection.
- 2). Automatic synchronization with the weaving machine.
- 3). Positive tension adjustment allows precise selection for any fabric on any Loom.
- 4). Forward & reverse (not full) movement of fabric.
- 5). Operator's platform with anti-fatigue material and toe-guards.
- 6). Crease free winding of fabric.
- 7). Compact rolls due to differential ratio of the batcher rolls.
- 8). Additional top pressure roller provides the necessary pressure throughout the winding process for distortion-sensitive fabric.
- 9). Option - Accurate length measuring giving accuracy of  $\pm 0.01\%$ .
- 10). Option - Semi-automatic doffing device (pneumatic roll ejection device).
- 11). Option - Automatic fabric & selvage shifter for thick selvages.



### Technical Specifications:

Speed:	Synchronized with Weaving Machines - Standard: 0 - 10m/min
Fabric Width:	1.8 - 4.0 meters
Batching Diameter Max.:	1500mm (Standard: 1200mm)
Edge-alignment Error:	$\leq 5$ mm
Electric Specs:	3Phase - 380V; 50HZ (can be adjusted to suit for different countries)
Remark:	Variable working width is possible and can be tailor-made to your requirements of processing needs