

ST-DFRM

DOUBLE FOLDING & ROLLING MACHINE (DOUBLE FOLDED ON PAPER TUBE)

ST-DFRM is for woven, tulle, jacquard ... fabrics. This machine can be supplied to operate from plait/loose fabrics to roll, or with various other fabric inlet options.

Options:



Linear Fabric End Cutter

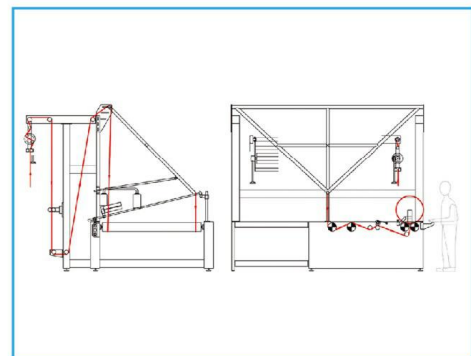


Features:

- 1). Doubling, measuring, rolling any type of fabrics with inlet from plait/loose fabrics, rolls or batchers and with outlet on rolls.
- 2). For proper folding, special systems for thin and sensitive fabrics.
- 3). Automatic alignment of selvedge on the doubling triangle with very sensitive and precise photo-electric guide.
- 4). Reliable measuring with electronic calibrated counter meter system.
- 5). Consistent Roll Output - Roll hardness adjustable.

Technical Specifications:

Model:	ST-DFRM
Speed:	0 - 80m/min
Fabric Width:	1.8 - 4.0 meters
Major Axis Max.:	500mm
Dimension(LXWXH):	3500X3500X3030mm (for model ST-DFRM-320 only)
Weight:	1600kgs (for model ST-DFRM-320 only)
Electric Specs:	3Phase - 380V; 50HZ (can be adjusted to suit for different countries)
Remark:	Variable working width is possible and can be tailor-made to your requirements of processing needs.



Packing

Inspecting

Batching

Folding/Sewing

Slitting/Cutting

Relaxing/Reversing

Accessories